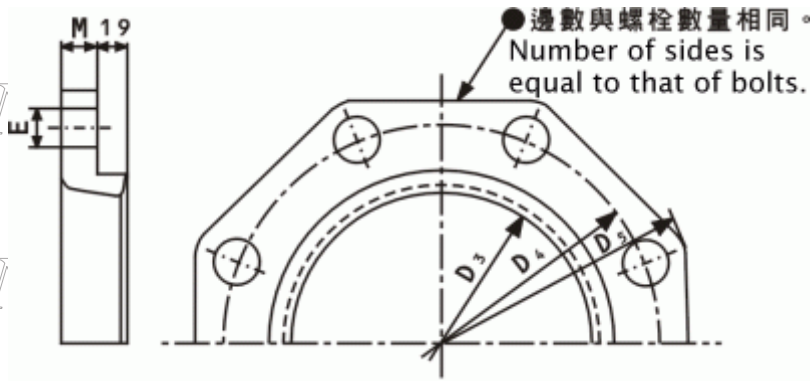




●Type A Gland



Unit: mm

Nominal size	Dimensions					Bolt No.	Weight (kg)
	D <sub>3</sub>	D <sub>4</sub>	D <sub>5</sub>	E	M		
75	97.0	159	197	19	15	4	1.87
100	122.0	186	232	23	16	4	2.49
150	173.0	241	287	23	17	6	4.27
200	224.0	292	338	23	18	6	5.31
250	275.6	348	394	23	19	8	7.53
300	326.8	399	445	23	20	8	8.91
350	378.0	458	504	23	21	10	11.90